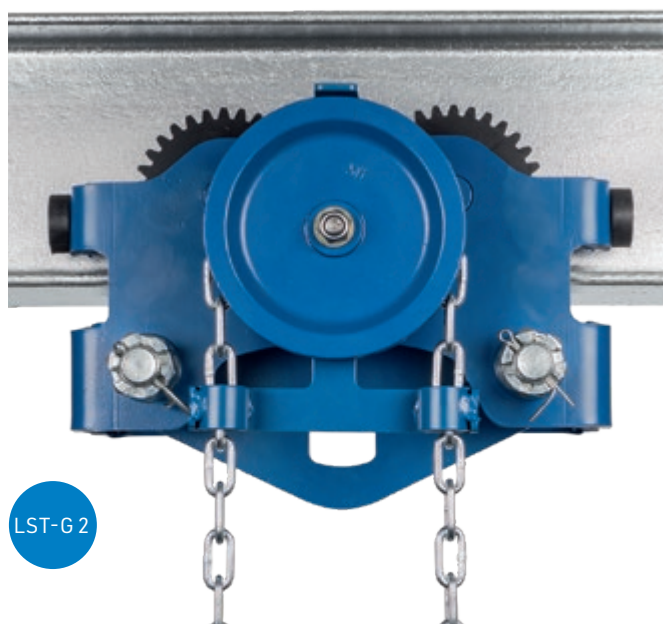




LST-H  
0,5



LST-G 2



Push trolley | **LST-H**



Gear type trolley | **LST-G**

## TROLLEY | **LST**

LST-trolleys are manufactured in a higher quality for a very rough and unusual use. The chain hoist PREMIUM PRO of the same capacity as the trolley fit easily into the lugs with their top hook, but these LST-trolleys are best combined with PREMIUM PRO. Trolleys have rubber buffers at both sides!

### Wide adjustment for any flange width

Discs of different thicknesses are on the carrying bolts that allow to make the distance between side plates shorter or longer by exchanging them from outside to inside. There are two main bolt lengths. The standard bolts are adjustable

for normal width. Bolts of size 2 offer more possibilities up to beam flange sizes on HE-B-beams with 300 mm width. Prefer this when unclear for what kind of work you will use them.

### Double safety

Climb stop on both side of the beam flange hinders the trolley to climb up the beam and prevents from falling down. Right angled side plates work as wheel shaft breakage protection, falling down protection and beam flange cleaner.

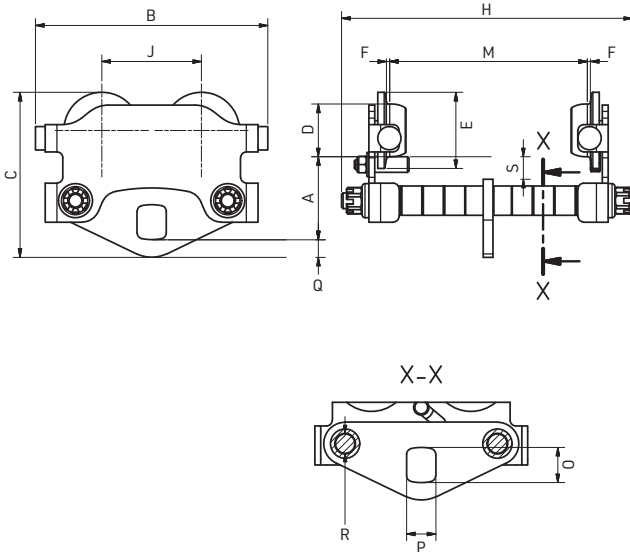
### Sturdy side plates

The load is balanced by two carrying bolts on all four wheels because the castle nuts tie only one side. This gives

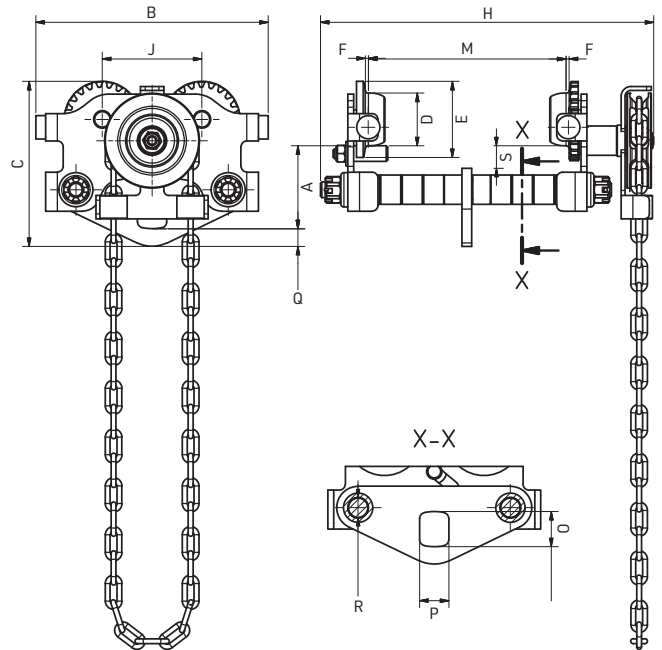
the bolts a bit of tolerance for movement and equalizes improper beam flanges.

**Important: The manual trolleys shown are designed for use with manual hoists. use with manual lifting equipment.**

LST-H



LST-G



TYPE	LST-H...	0.5	1	2	3	5	10	-
TYPE	LST-G...	0.5	1	2	3	5	10	20
Capacity	kg	500	1,000	2,000	3,000	5,000	10,000	20,000
Flange width M min. - max.	mm	50 - 203	64 - 203	88 - 203	100 - 203	114 - 203	124 - 203	136 - 203
Min. curve radius	m	0.85	1	1.1	1.3	1.4	2	a.A.
Hand chain operation length LST-G	m	2.5	2.5	2.5	2.5	2.5	2.5	2.5
Reel path for 1 m path LST-G	m	2.96	3.63	4.65	5.66	6.34	7.98	10.63
A (Dimensions)	mm	85	104	115	125	143	187	250
B	mm	238	288	338	390	472	476	564
C	mm	169	207	237	271	307	381	514
D	mm	54	67	80	100	109	133	170
E	mm	78	96	111	133.5	145	176	228
F	mm	3	3	3	4	4	4	4
H (LST-H)	mm	298	314	325	355	381	388	-
H (LST-G)	mm	342	363	374	403	428	445	498
J	mm	102	112	131	153	168	194	234
O	mm	36	40	48	54	66	80	130
P	mm	30	36	40	46	52	64	100
Q	mm	18	22	26	29	37	40	65
R	mm	Ø 20	Ø 24	Ø 29	Ø 34	Ø 39	Ø 44	Ø 59
S	mm	23	24	28	26	28	50	55
Net weight LST-H	kg	9	14	22	36	55	86	-
Net weight LST-G	kg	11	16	24	39	59	89	190
LST-H	Order No.	G20340	G20341	G20342	G20343	G20344	G20345	-
LST-G with 2.5 m operation length	Order No.	G20350	G20351	G20352	G20353	G20354	G20355	G20356
Larger flange width min. - max.	mm	50 - 305	64 - 305	68 - 305	100 - 305	114 - 305	124 - 305	136 - 305
	Order No.	G20090	G20091	G20093	G20094	G20095	G20097	G20099
Add. operator length hand chain per m	Order No.	G20017	G20017	G20017	G20017	G20017	G20017	G20017

More capacities on request!