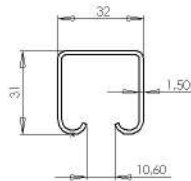


ATEX FESTOON SYSTEM ON C-PROFILE 2300

PROFILE

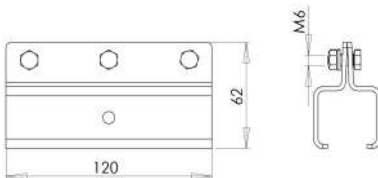
Max. bundle: 50(L) x 20 (H) mm



REFERENCE	CODE	MATERIAL	TRACK LENGTH	WEIGHT
2300/R-1-Inox	303259	Stainless steel AISI 316	5 Metres	1,22 Kg/m

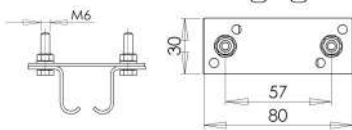
- Section: 1,560cm²
- Ix: 1,990cm⁴
- Wx: 1,156cm³

JOINT



REFERENCE	CODE	MATERIAL	WEIGHT
		Laterals	Screws
2300/R-3-J-Inox	303436	Stainless steel	Stainless steel 0,375 Kg

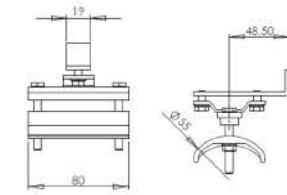
SUPPORT



REFERENCE	CODE	MATERIAL	WEIGHT
		Base+Laterals	Screws
2300/R-4-H2-Inox	303437	Stainless steel	Stainless steel 0,106 Kg

END CLAMP

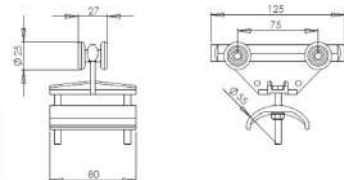
Saddle ø55mm



REFERENCE	CODE	MATERIAL	WEIGHT
		Body	Screws Saddle
2316-2-Ex	303566	Stainless steel	Stainless steel 0,315 Kg

CABLE TROLLEY

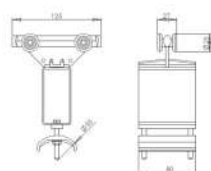
Saddle ø55mm



REFERENCE	CODE	MATERIAL	WEIGHT
		Body	Screws + Ball bearings Saddle
2316-5-Ex	303567	Aluminium	Stainless steel 0,275 Kg

TOWING TROLLEY

Saddle ø55mm

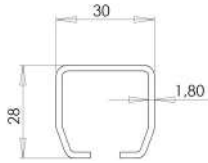


REFERENCE	CODE	MATERIAL	WEIGHT
		Body	Screws + Ball bearings Towing attachment Saddle
2316-6-Ex	303568	Aluminium	Stainless steel 0,351 Kg

ATEX FESTOON SYSTEM ON C-PROFILE 2331

PROFILE

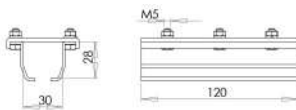
Max. bundle: 50(L) x 20 (H) mm



REFERENCE	CODE	MATERIAL	TRACK LENGTH	WEIGHT
2331-1-Inox	302300	Stainless steel AISI 316	5 Metres	1,30 Kg/m

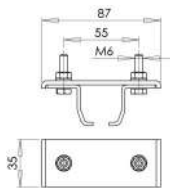
- Section: 1,670cm²
- Ix: 1,617cm⁴
- Wx: 1,006cm³

JOINT



REFERENCE	CODE	MATERIAL	WEIGHT
		Laterals	Screws
2331-3-Inox	302269	Stainless steel	Stainless steel 0,375 Kg

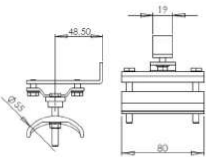
SUPPORT



REFERENCE	CODE	MATERIAL	WEIGHT
		Base+Laterals	Screws
2331-4-Inox	302270	Stainless steel	Stainless steel 0,165 Kg

END CLAMP

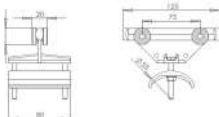
Saddle ø55mm



REFERENCE	CODE	MATERIAL	WEIGHT
		Body	Screws Saddle
2400-CH-2-Ex	302462	Stainless steel	Stainless steel 0,315 Kg

CABLE TROLLEY

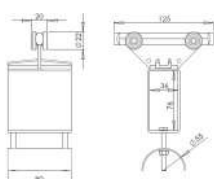
Saddle ø55mm



REFERENCE	CODE	MATERIAL	WEIGHT
		Body	Screws + Ball bearings Saddle
2400-CH-5-Ex	302463	Aluminium	Stainless steel 0,274 Kg

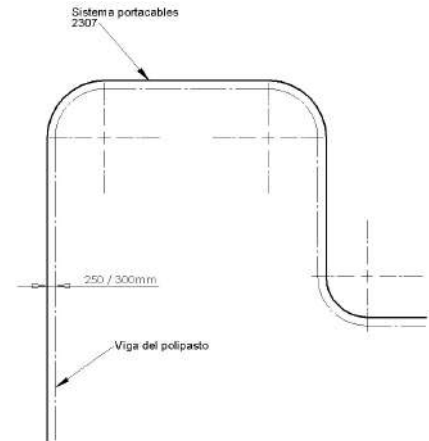
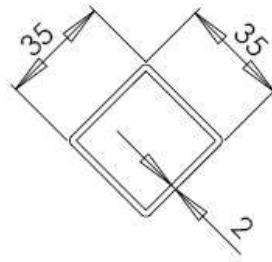
TOWING TROLLEY

Saddle ø55mm



REFERENCE	CODE	MATERIAL	WEIGHT
		Body	Screws + Ball bearings Towing attachment Saddle
2400-CH-6-Ex	302464	Aluminium	Stainless steel 0,490 Kg

ATEX FESTOON SYSTEM ON DIAMOND PROFILE 2307

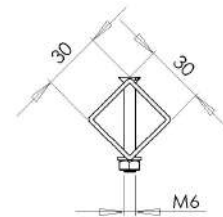
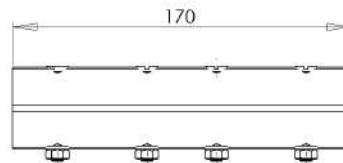


PROFILE



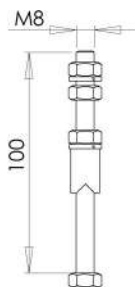
REFERENCE	CODE	MATERIAL	TRACK LENGTH	WEIGHT
2307-1-AISI316	306411	Stainless steel AISI 316	5 Metres	2,1 Kg/m

JOINT



REFERENCE	CODE	MATERIAL		WEIGHT
		Body	Screws	
2307-3-Inox	306152	Stainless steel	Stainless steel	0,345 Kg

SUPPORT



REFERENCE	CODE	MATERIAL		WEIGHT
		Ferrule	Screws	
2307-4-Inox	306153	Stainless steel	Stainless steel	0,085 Kg

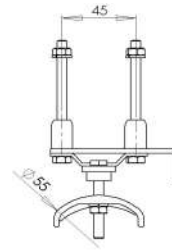
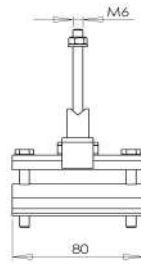


SERIES 2307(AL)-CH-EX



END CLAMP

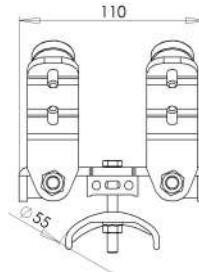
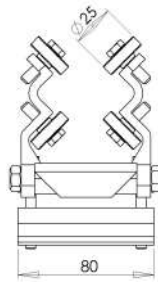
Saddle $\varnothing 55\text{mm}$



REFERENCE	CODE	MATERIAL		WEIGHT
		Body+Screws	Saddle	
2307-CH-2-Ex	306509	Stainless steel	Stainless steel	0,331 Kg

CABLE TROLLEY

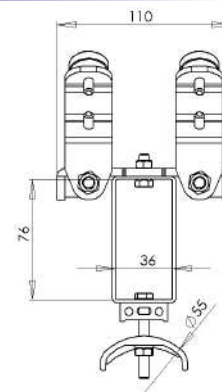
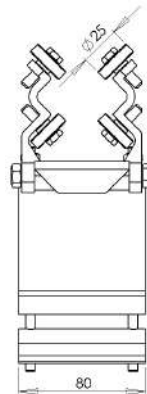
Saddle $\varnothing 55\text{mm}$



REFERENCE	CODE	MATERIAL			WEIGHT
		Body	Saddle	Ball bearings + Screws	
2307(AL)-CH-5-Ex	306235	Aluminium	Stainless steel	Stainless steel	0,738 Kg

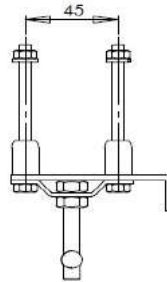
TOWING TROLLEY

Saddle $\varnothing 55\text{mm}$



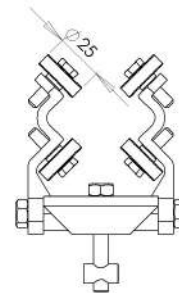
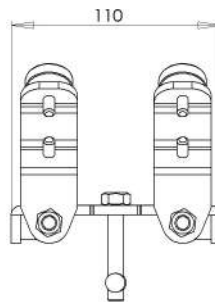
REFERENCE	CODE	MATERIAL			WEIGHT
		Body	Saddle + towing attachment	Ball bearings y Screws	
2307(AL)-CH-6-Ex	306236	Aluminium	Stainless steel	Stainless steel	1,118 Kg

END CLAMP



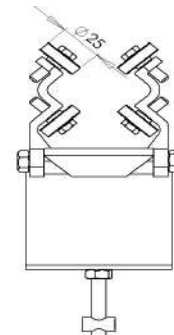
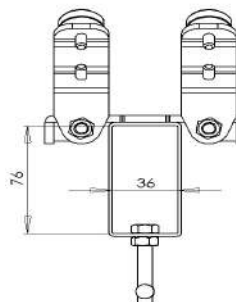
REFERENCE	CODE	MATERIAL	WEIGHT
2307/2-Ex	306578	Stainless steel	0,340 Kg

CABLE TROLLEY



REFERENCE	CODE	MATERIAL			WEIGHT
		Body	Pin	Ball bearings and screws	
2307(AL)/5-Ex	306579	Aluminium	Stainless steel	Stainless steel	0,652 Kg

TOWING TROLLEY



REFERENCE	CODE	MATERIAL			WEIGHT
		Body	Pin and towing attachment	Ball bearings and screws	
2307(AL)/6-Ex	306580	Aluminium	Stainless steel	Stainless steel	0,710 Kg

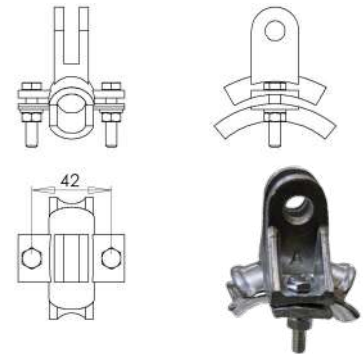


SERIES 2307(AL)/A/B/C-EX



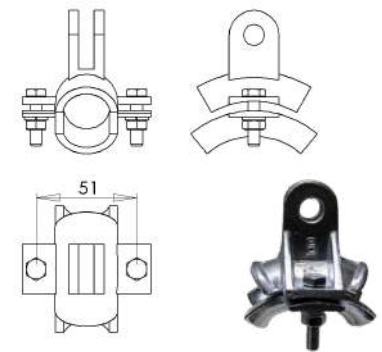
CLIP "+A" for cables from ø8mm to ø15mm

REFERENCE	CODE	MATERIAL	SCREWS	WEIGHT
+A-Inox	303596	Aluminium	Stainless steel	0,104 Kg



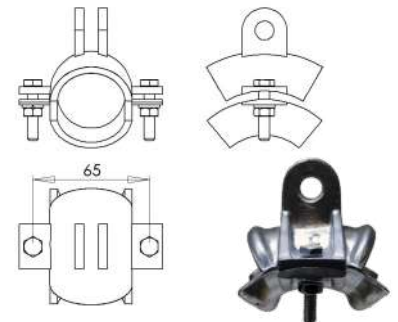
CLIP "+B" for cables from ø16mm to ø24mm

REFERENCE	CODE	MATERIAL	SCREWS	WEIGHT
+B-Inox	303597	Aluminium	Stainless steel	0,114 Kg



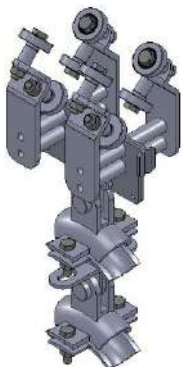
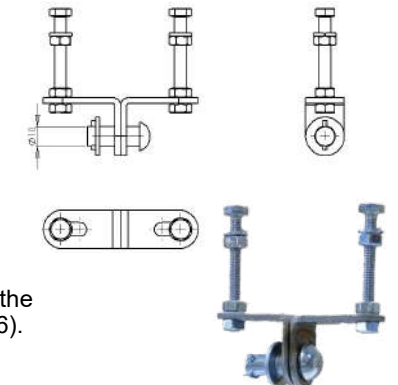
CLIP "+C" for cables from ø25mm to ø35mm

REFERENCE	CODE	MATERIAL	SCREWS	WEIGHT
+C-Inox	303598	Aluminium	Stainless steel	0,150 Kg



"T" UNION

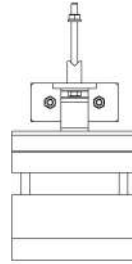
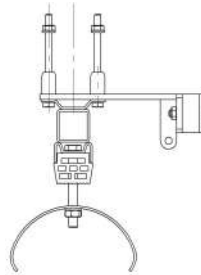
REFERENCE	CODE	MATERIAL	SCREWS + RIVET	WEIGHT
T-Inox	303599	Stainless steel	Stainless steel	0,107 Kg



The clips makes a 90 degree turn in order to make easier the parking. When ordering, add to the reference, the necessary clips, followed by the indicative number: end clamp (-2), cable trolley (-5) or towing trolley (-6).

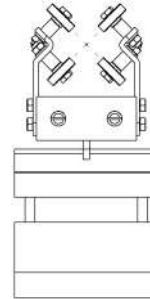
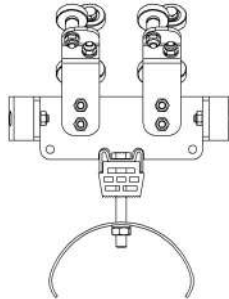
- Example:
- End clamp 2307/C+B-2.
 - Cable trolley 2307(AL)/B+B+A-5.
 - Towing trolley 2307(AL)/A-6.

END CLAMP



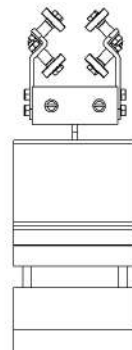
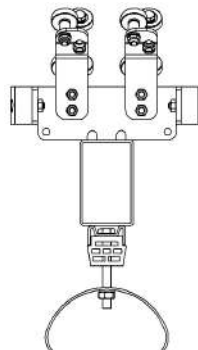
REFERENCE	CODE	MATERIAL			WEIGHT
		Body	Saddle	Screws	
H-2307-L-PL-2-Ex	--	Stainless steel	Stainless steel	Stainless steel	-- Kg

CABLE TROLLEY



REFERENCE	CODE	MATERIAL			WEIGHT
		Body	Saddle	Ball bearings + Screws	
H-2307-L-PL-5-Ex	--	Stainless steel	Stainless steel	Stainless steel	-- Kg

TOWING TROLLEY



REFERENCE	CODE	MATERIAL			WEIGHT
		Body + Towing attachment	Saddle	Ball bearings + Screws	
H-2307-L-PL-6-Ex	--	Stainless steel	Stainless steel	Stainless steel	-- Kg

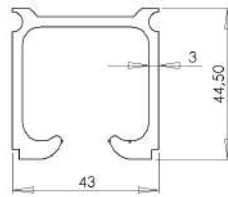


SERIES 2310-EX



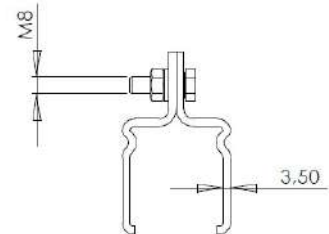
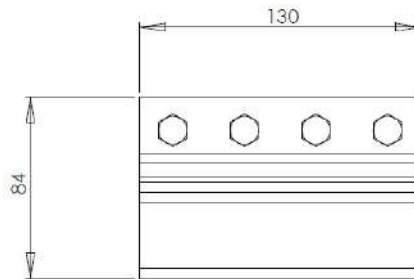
ATEX FESTOON SYSTEM ON C-PROFILE 2310

PROFILE



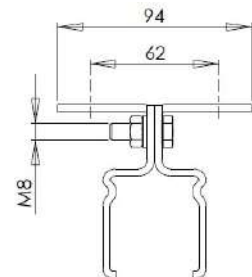
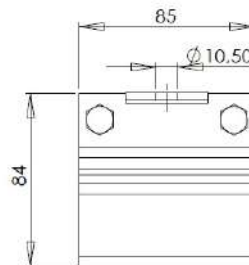
REFERENCE	CODE	MATERIAL	TRACK LENGTH	WEIGHT
2310-1	304001	Aluminium	5 Metres	1,2 Kg/m

JOINT



REFERENCE	CODE	MATERIAL		WEIGHT
		Laterals	Screws	
2310-3-EX	304152	Brass	Stainless steel	0,700 Kg

SUPPORT



REFERENCE	CODE	MATERIAL		WEIGHT
		Laterals	Screws	
2310-4-EX	304153	Brass	Stainless steel	0,500 Kg

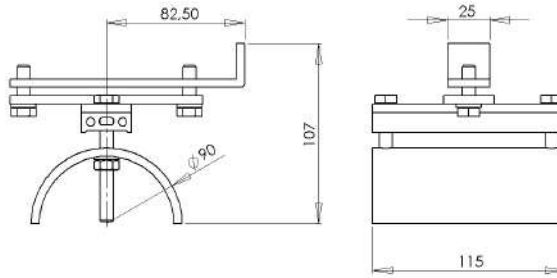


SERIES 2310-EX



END CLAMP

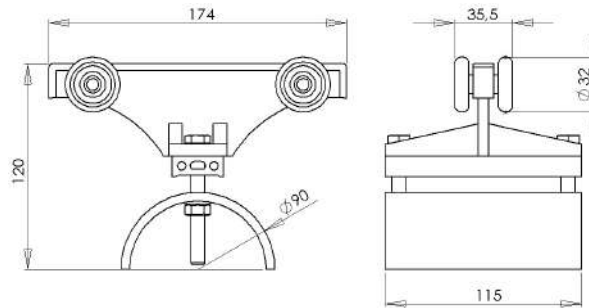
Saddle ø90mm



REFERENCE	CODE	MATERIAL			WEIGHT
		Body	Screws	Saddle	
2310-2-EX	304157	Brass	Stainless steel	Aluminium	0,700 Kg

CABLE TROLLEY

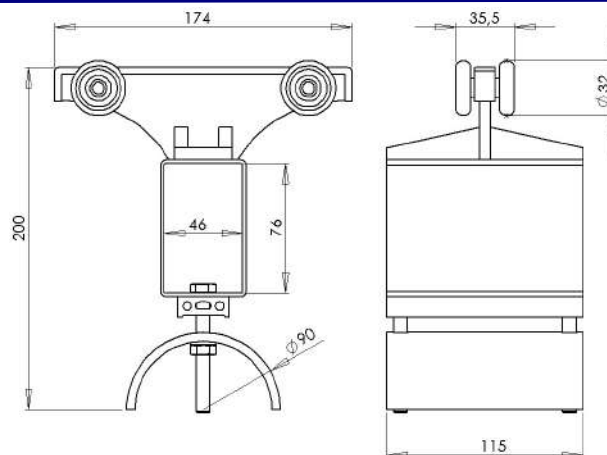
Saddle ø90mm



REFERENCE	CODE	MATERIAL			WEIGHT
		Body	Screws + Ball bearings	Saddle	
2310-5-EX	304158	Aluminium	Stainless steel	Aluminium	0,800 Kg

TOWING TROLLEY

Saddle ø90mm

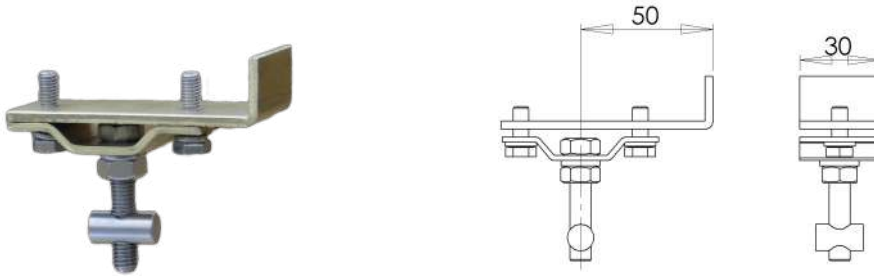


REFERENCE	CODE	MATERIAL				WEIGHT
		Body	Screws + Ball bearings	Towing attachment	Saddle	
2310-6-EX	304141	Aluminium	Stainless steel	Stainless steel	Aluminium	1,700 Kg

2336/A/B/C-EX

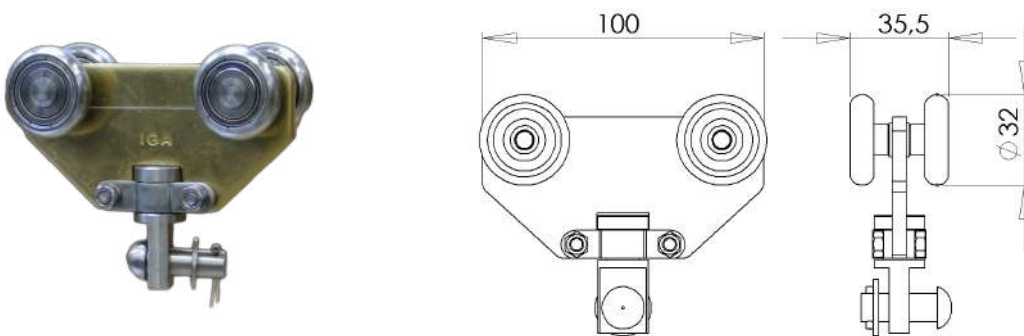


END CLAMP



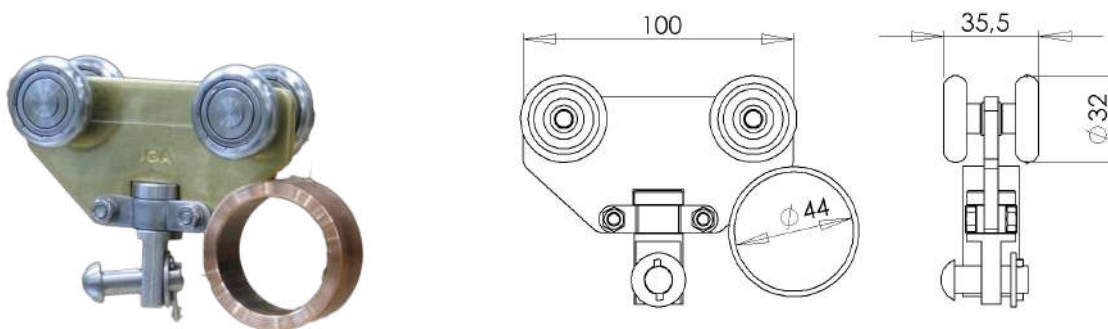
REFERENCE	CODE	MATERIAL			WEIGHT
		Body	Pin	Screws	
2336-2-Ex	804237	Brass	Stainless steel	Stainless steel	0,215 Kg

CABLE TROLLEY



REFERENCE	CODE	MATERIAL			WEIGHT
		Body	Pin	Ball bearings and Screws	
2336-5-Ex	804238	Brass	Stainless steel	Stainless steel	0,384 Kg

TOWING TROLLEY



REFERENCE	CODE	MATERIAL			WEIGHT
		Body	Towing attachment	Ball bearings, Pin and Screws	
2336-6-Ex	804239	Brass	Copper	Stainless steel	0,435 Kg

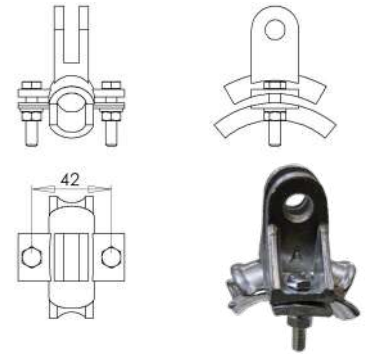


SERIES 2310-EX 2336/A/B/C-EX



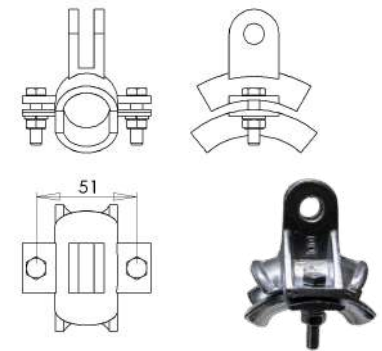
CLIP "+A" for cables from $\varnothing 8\text{mm}$ to $\varnothing 15\text{mm}$

REFERENCE	CODE	MATERIAL	SCREWS	WEIGHT
+A-Inox	303596	Aluminium	Stainless steel	0,104 Kg



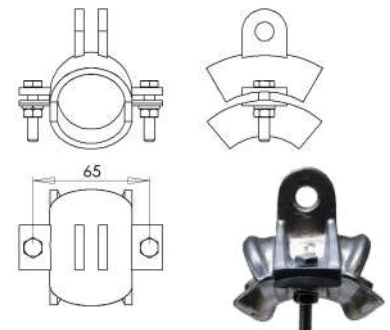
CLIP "+B" for cables from $\varnothing 16\text{mm}$ to $\varnothing 24\text{mm}$

REFERENCE	CODE	MATERIAL	SCREWS	WEIGHT
+B-Inox	303597	Aluminium	Stainless steel	0,114 Kg



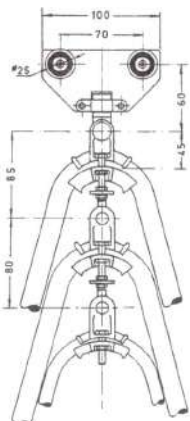
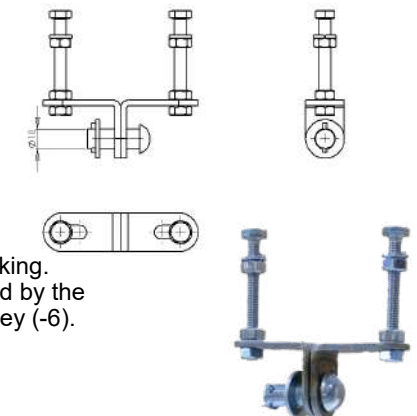
CLIP "+C" for cables from $\varnothing 25\text{mm}$ to $\varnothing 35\text{mm}$

REFERENCE	CODE	MATERIAL	SCREWS	WEIGHT
+C-Inox	303598	Aluminium	Stainless steel	0,150 Kg



"T" UNION

REFERENCE	CODE	MATERIAL	SCREWS + BULON	WEIGHT
T-Inox	303599	Stainless steel	Stainless steel	0,107 Kg



Intermedio - Ref. 2.335 + C + B + A-5

The clips makes a 90 degree turn in order to make easier the parking.
When ordering, add to the reference, the necessary clips, followed by the indicative number: end clamp (-2), cable trolley (-5) or towing trolley (-6).

- Example:
- End clamp ref. 2336+C+B-2-Ex.
 - Cable trolley ref. 2336+B+B+A-5-Ex.
 - Towing trolley ref. 2336+A-6-Ex.

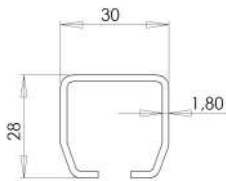
ATEX FESTOON SYSTEM ON C-PROFILE 2331

There are some standard sizes which are kept in stock in order to improve delivery time. Otherwise customized dimensions could be manufactured according to customer's specifications.

STANDARD SIZES

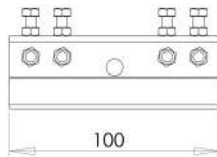
Trolley length L	Saddle PL	
	Diam	Useful width
100mm	55mm	58mm
125mm	55mm	58mm
	85mm	58mm
150mm	100mm	100mm

PROFILE



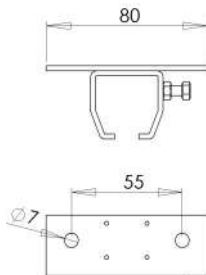
REFERENCE	CODE	MATERIAL	TRACK LENGTH	WEIGHT
2331-1	302001	Galvanized steel	5 Metres	1,30 Kg/m

JOINT



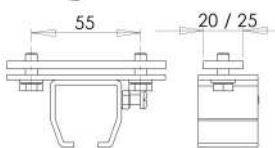
REFERENCE	CODE	MATERIAL		WEIGHT
		Body	Screws	
2331-3E-Ex	302482	Zinc plated steel	Zinc plated steel	0,178 Kg

SUPPORT



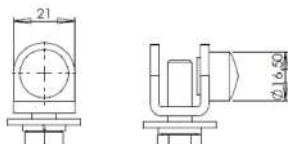
REFERENCE	CODE	MATERIAL		WEIGHT
		Base+Body	Screws	
2331-4-A	302005	Zinc plated steel	Zinc plated steel	0,112 Kg

TRACK SUPPORT



Support arm with profile	REFERENCE	CODE	MATERIAL		WEIGHT
			Base+Body	Screws	
2331-1	2331-4-A-31	309323	Zinc plated steel	Zinc plated steel	0,176 Kg
2500-1	2331-4-A-500	302212	Zinc plated steel	Zinc plated steel	0,202 Kg

END BUMPER STOP



REFERENCE	CODE	MATERIAL		WEIGHT
		Base+Screws	Buffer	
2309-2	302118	Zinc plated steel	Rubber	0,048 Kg



SERIES 2330-D(22)-L-PL-EX

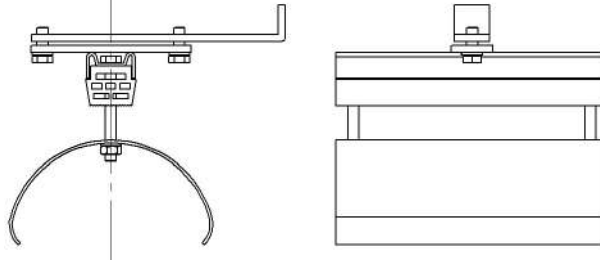


ATEX FESTOON SYSTEM ON C-PROFILE 2331

END CLAMP



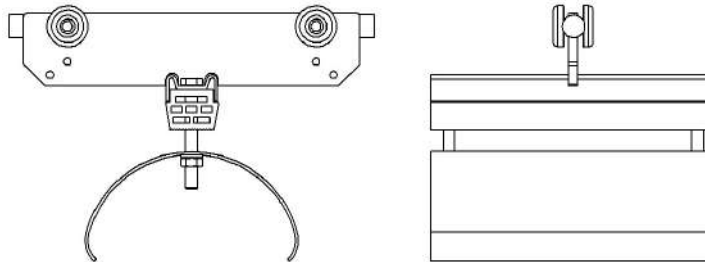
REFERENCE	CODE	MATERIAL			WEIGHT
		Body	Screws	Saddle	
2330-D(22)-L-PL-2-Ex	---	Zinc plated steel	Zinc plated steel	Zinc plated steel	-- Kg



CABLE TROLLEY



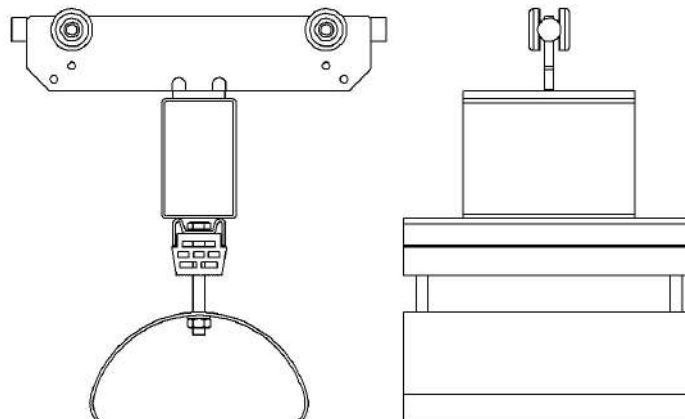
REFERENCE	CODE	MATERIAL			WEIGHT
		Body	Screws + Ball bearings	Saddle	
2330-D(22)-L-PL-5-Ex	---	Zinc plated steel	Zinc plated steel	Zinc plated steel	-- Kg



TOWING TROLLEY



REFERENCE	CODE	MATERIAL				WEIGHT
		Body	Screws + Ball bearings	Towing attachment	Saddle	
2330-D(22)-L-PL-6-Ex	---	Zinc plated steel	Zinc plated steel	Zinc plated steel	Zinc plated steel	-- Kg





SERIES 2330-D(28)-L-PL-EX



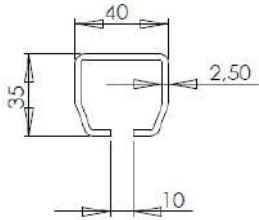
ATEX FESTOON SYSTEM ON C-PROFILE 2500

There are some standard sizes which are kept in stock in order to improve delivery time. Otherwise customized dimensions could be manufactured according to customer's specifications.

STANDARD SIZES

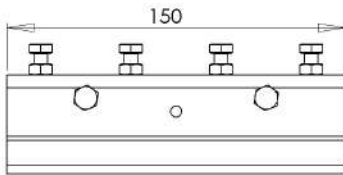
	Trolley length L	Saddle PL	
		Diam	Useful width
200mm		100mm	100mm
		125mm	100mm
		125mm	150mm
250mm		150mm	100mm
		150mm	150mm

PROFILE



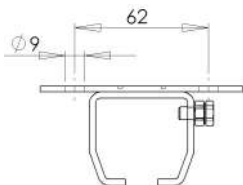
REFERENCE	CODE	MATERIAL	TRACK LENGTH	WEIGHT
2500-1	305001	Galvanized steel	5 Metres	2,20 Kg/m

JOINT



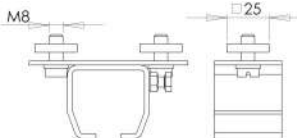
REFERENCE	CODE	MATERIAL		WEIGHT
		Body	Screws	
2500-3	305003	Zinc plated steel	Zinc plated steel	0,510 Kg

SUPPORT



REFERENCE	CODE	MATERIAL		WEIGHT
		Base+Body	Screws	
2500-4	305004	Zinc plated steel	Zinc plated steel	0,242 Kg

TRACK SUPPORT



REFERENCE	CODE	MATERIAL		WEIGHT
		Base+Body	Screws	
2500-4-A-500	305155	Zinc plated steel	Zinc plated steel	0,400 Kg

END BUMPER STOP



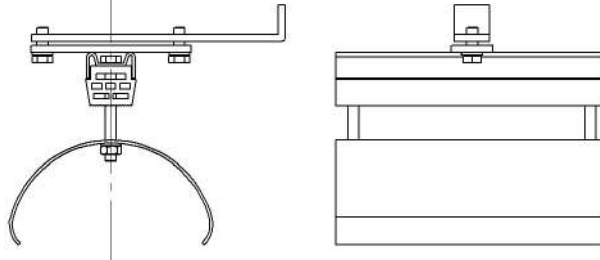
REFERENCE	CODE	MATERIAL		WEIGHT
		Body	Screws	
2502-2	305018	Zinc plated steel	Zinc plated steel	0,175 Kg

ATEX FESTOON SYSTEM ON C-PROFILE 2500

END CLAMP

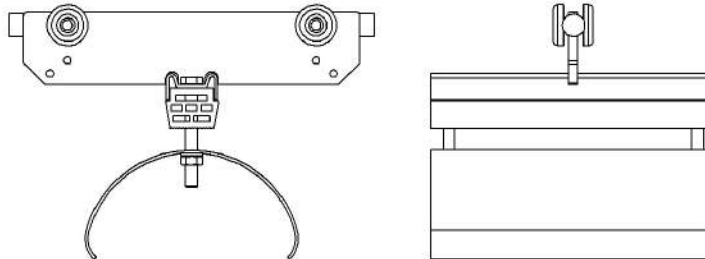


REFERENCE	CODE	MATERIAL			WEIGHT
		Body	Screws	Saddle	
2330-D(28)-L-PL-2-Ex	---	Zinc plated steel	Zinc plated steel	Zinc plated steel	-- Kg



CABLE TROLLEY

REFERENCE	CODE	MATERIAL			WEIGHT
		Body	Screws + Ball bearings	Saddle	
2330-D(28)-L-PL-5-Ex	---	Zinc plated steel	Zinc plated steel	Zinc plated steel	-- Kg



TOWING TROLLEY

REFERENCE	CODE	MATERIAL				WEIGHT
		Body	Screws + Ball bearings	Towing attachment	Saddle	
2330-D(28)-L-PL-6-Ex	---	Zinc plated steel	Zinc plated steel	Zinc plated steel	Zinc plated steel	-- Kg

