

ERSATZTEILE

Pièces de rechange - Onderdelen - Reservedele - Varaosat - Pezzi di ricambio
Reservedelen - Peças - Reservdelar - Piezas de recambio

SPARE PARTS

STROMLAUFPLÄNE

Schéma de connexions - Stroomschema - Kredslobsdiagrammer - Kytkentäkaavio
Aansluitschema - Schema elettrico - Koplingskjema - Esquema electrico - Elschema
Esquema eléctrico

CIRCUIT DIAGRAMS

GIS CHAIN HOIST

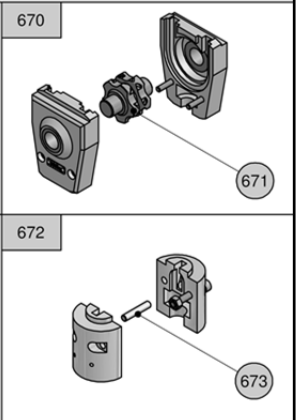
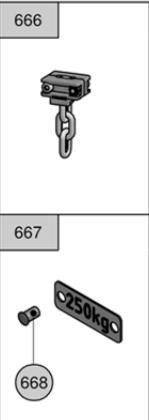
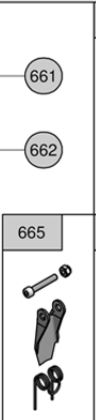
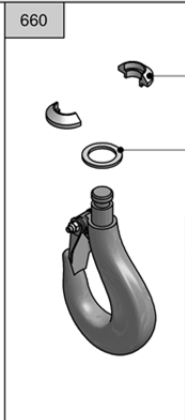
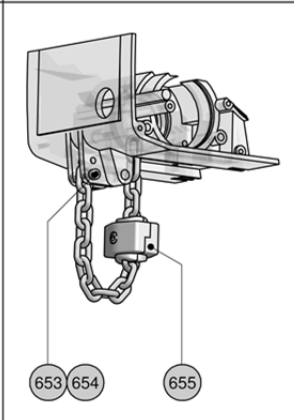
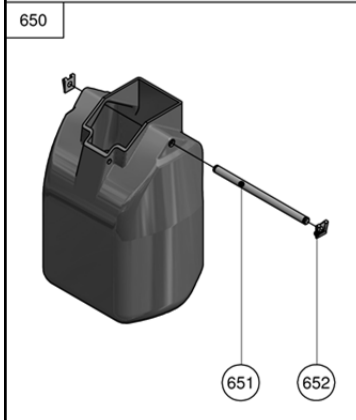
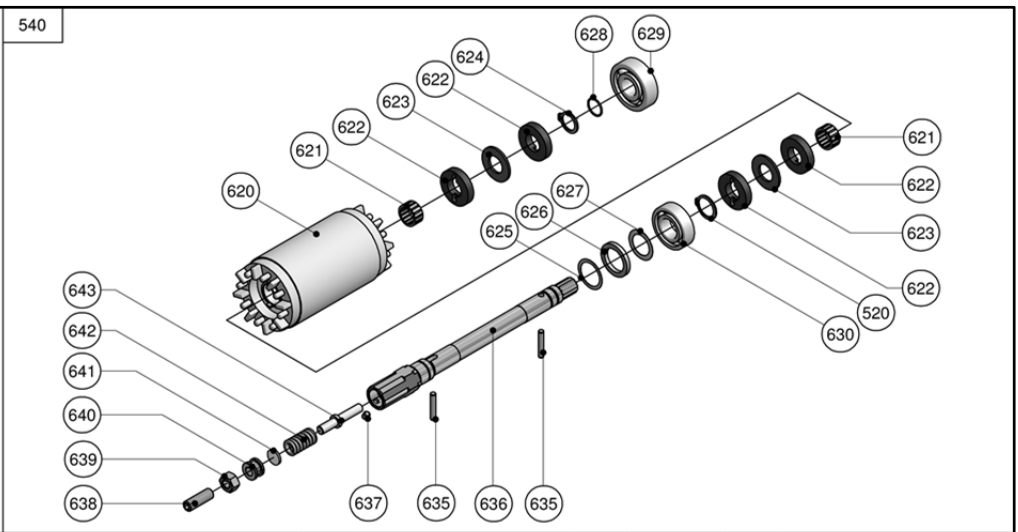
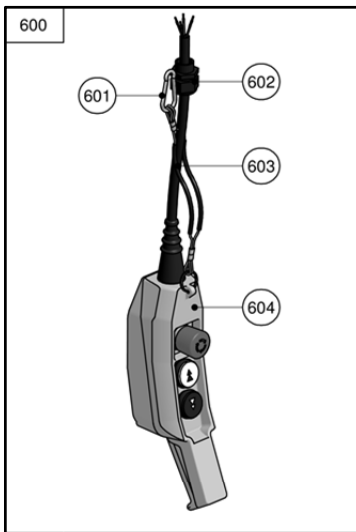
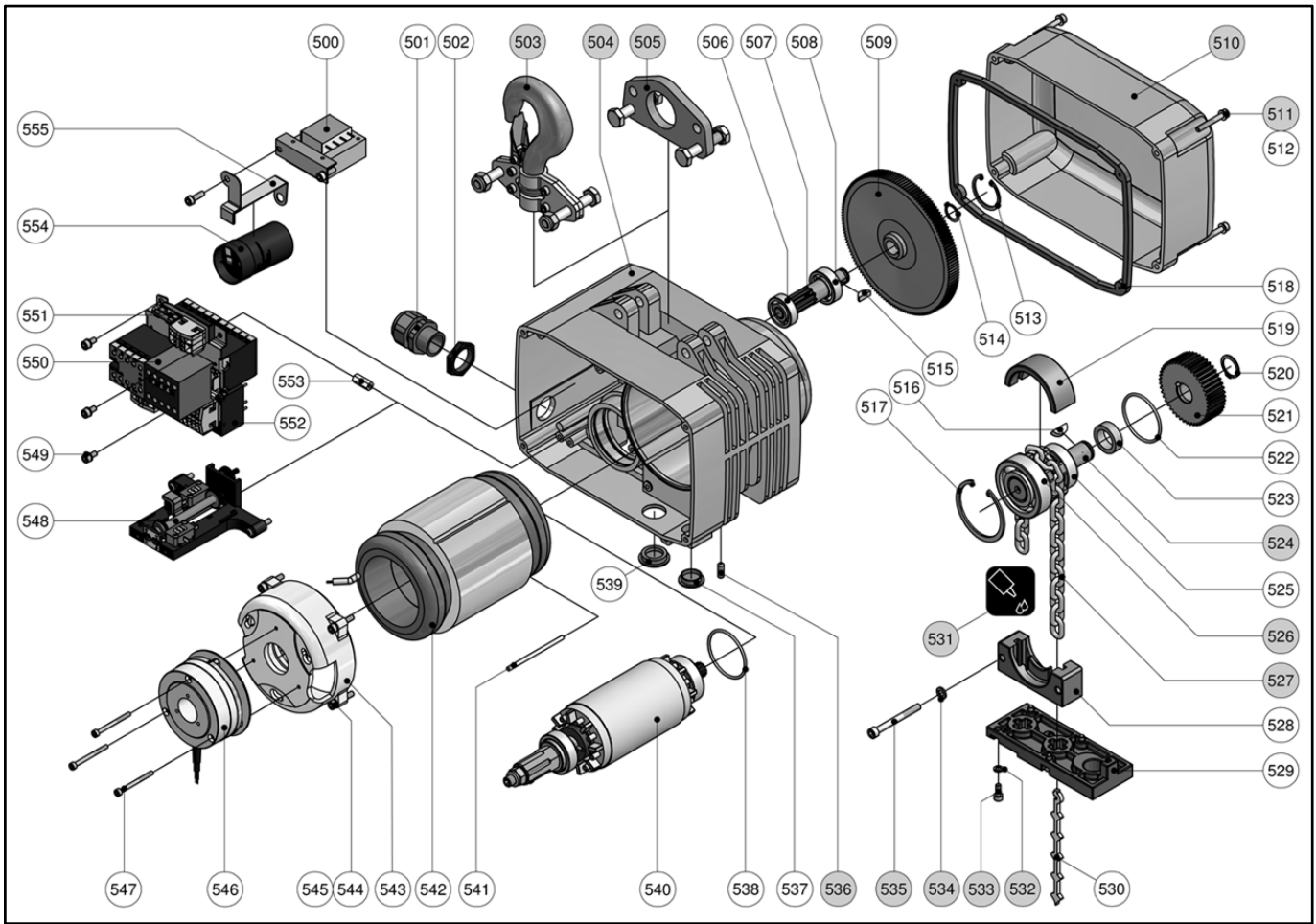
 SWISS QUALITY

GCHR 500



M A D E I N S W I T Z E R L A N D





		GCHR 500
500	115/42V 50/60Hz	9056.4516.4
	230/42V 50/60Hz	9056.4500.4
	400/42V 50/60Hz	9056.4501.4
501	M25 x 1.5	9055.3103
502	M25 x 1.5	9055.4013
503	115 x 144.85	9401.4503.3
504	246 x 213 x 180.5	9401.4512.3
505	62/10 x 115	9401.4502.4
506	7201, 12/32 x 10	9038.0026
507	ø18.98 x 90.6	9400.3043.4
508	6202, 15/35 x 11	9038.0016
509	ø149 z=142, -N/-NF	9400.3074.3
510	246 x 164 x 81	9401.4521.4
511	M5 x 35, In-6kt, A2	9030.0512
512	M5, Polyamid	9031.3703
513	I 35 x 1.5	9031.2214
514	A 15 x 1	0031.1009
515	5 x 6.5 x 15.72	9036.0605
516	6 x 7.5 x 18.57	9036.0600
517	I 62 x 2	0031.1127
518	248 x 166 x 6	9400.3002.3
519	70 x 35 x 28	9401.3004.4
520	A 20 x 2	0031.1013
521	ø68.8 z=45	9400.3073.4
522	ø47 x 2.5	9035.0015
523	ø30/21 x 9.5	9400.3029.4
524	ø55 x 96, 5T	9401.4500.2
525	6204 LLUA, 20/47 x 14	9038.0017
526	6305 LLUA, 25/62 x 17	0038.1218
527	5 x 15.3	9039.0006
528	89 x 34 x 28	9401.3003.4
529	56/15 x 146 (5 mm)	9400.3054.3
530	200 x 15.5 x 5 (5 mm)	9041.6021
531	0.25 I	9041.0008
532	M5, A4	9031.4002
533	M5 x 16, A2	9030.0508
534	M6, A4	9031.4003
535	M6 x 50, A2	9030.0505
536	DIN 916 M6 x 16, A4	9030.2755
537	M20 x 1.5	9055.3512
538	ø47 x 2.5	9035.0015
539	M25 x 1.5	9055.3513
540	1-t ø61.4 x 50, 8 m/min	9400.3141.3
	2-t ø69.4 x 100, 8 m/min	9400.3144.3
541	ø4 x 75	9230.3097.4
542	L=50, 3Ph 230/400V 50Hz	9402.0100.3
	L=100, 3Ph 400V 50Hz	9402.0300.3
	L=100, 3Ph 230V 50Hz	9402.0301.3
	L=50, 1Ph 115/230V 50Hz	9402.0050.3
543	ø123 x 49	9400.3147.2
544	M5 x 25	9030.0265
545	M5	9031.3902
546	6 Nm 100-125 VAC	9050.4055
	6 Nm 200-240 VAC	9050.4056
	6 Nm 360-420 VAC	9050.4057
	6 Nm 440-480 VAC	9050.4058
	6 Nm 500-575 VAC	9050.4059
547	M4 x 45	0030.9287
548	119 x 103.5, kompl.	9401.3015.3
	119 x 103.5, NA kompl.	9401.3018.3
	119 x 103.5, kompl. 1Ph	9401.3016.3
549	M5 x 12	0030.3468
550	1-t NA 100-480/42V	9402.1550.2
	1-t NA 500-690/42V UL	9402.1551.2
	2-t NA 100-480/42V	9402.1650.2
	2-t NA 500-690/42V UL	9402.1651.2
	1-t NA 100-230/42V UL 1Ph	9402.1460.2
551	1.6A	9052.0012
552	45 x 30 x 14.7	9400.3105.4
553	M5 x 20, 6kt	9058.0608
554	ø39.5 x 74, 240µF, 115V	9059.0001
	ø36.5 x 70, 40µF, 230V	9059.0002
555	75.4 x 26 x 64.5	9400.3103.4

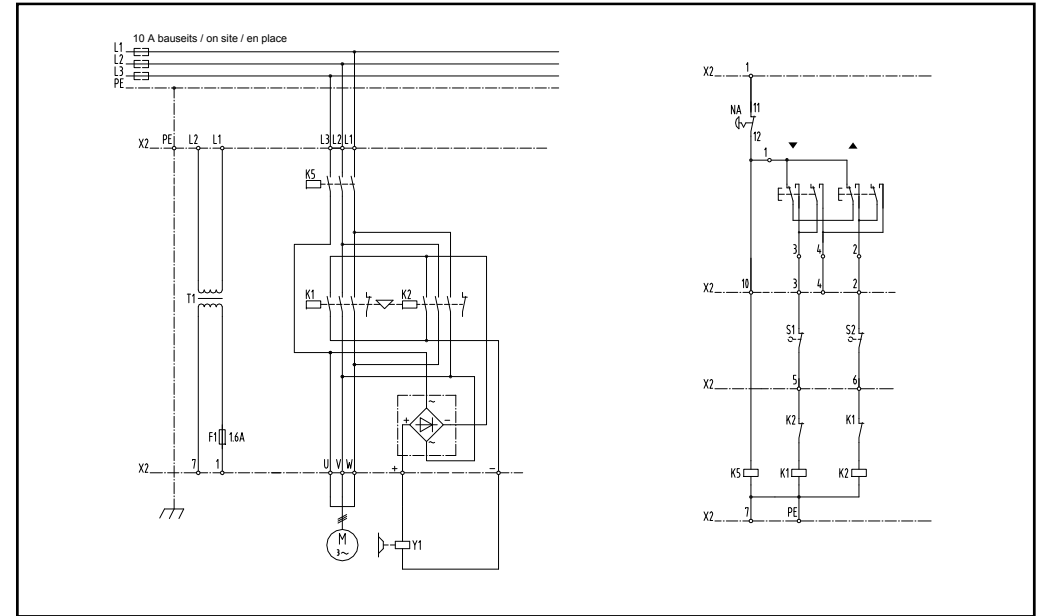
		GCHR 500
600	2K NA 3 m	9290.1086.3
	2K NA 4 m	9290.1087.3
	2K NA 5 m	9290.1088.3
	2K NA 6 m	9290.1089.3
	2K NA 8 m	9290.1090.3
	2K NA 10 m	9290.1091.3
	2K NA 12 m	9290.1092.3
	2K NA 15 m	9290.1093.3
	2K NA 20 m	9290.1094.3
601	L=50	9031.8004
602	M20 x 1.5	9055.3102
603	5 x 0.75 mm ² , L=	9055.0110
604	2K NA	9290.1084.3
620	1-t ø61.4 x 50	9400.3030.3
	2-t ø69.4 x 100	9400.3032.3
621	17/21 x 10	9038.0259
622	ø35 x 7	9400.3046.4
623	ø34/17.5 x 2	9400.3047.4
624	A 17 x 1.5	9031.2011
625	ø30/23.8 x 0.2	9400.3045.4
626	ø30/24 x 4	9210.3075.4
627	ø30/21 x 0.2	9400.3168.4
628	ø15.5 x 1.3	9035.0023
629	6303 LLUA, 17/47 x 14	9038.0014
630	6004 LLUA, 20/42 x 12	9038.0002
635	ø5 x 28	9031.5856
636	ø23 x 250, -N/-NF	9400.3139.3
637	M6 x 6	9030.2011
638	M10 x 30	9030.2014
639	M10	0031.0009
640	ø17/M10 x 11	9400.3137.4
641	ø15 x 2	9400.3142.4
642	ø16/8.7 x 25.4	9034.1009
643	ø12 x 51	9400.3143.4
650	500/6 KS	9401.3010.1
	500/12 KS	9401.3011.1
	500/30 Textil	9400.3118.3
651	ø8 x 137	9215.3030.4
652	Gr. 8	9031.2400
653	M5 x 30, In-6kt, A2	0030.0286
654	M5, A2	9031.1250
655	46 x 38 x 38	9216.4503.3
660	136.5 x 94.32	9216.4514.4
661	ø29 x 11	9216.4513.4
662	ø30/17 x 5.5	9216.4520.4
665	s=1.5	9216.4507.4
666	34.5 x 26 x 21.2	9401.4514.4
667	250 kg	9210.3721.4
	320 kg	9210.3722.4
	500 kg	9211.3340.4
	630 kg	9211.3341.4
668	3 x 6, A4	9031.6605
670	78 x 62 x 102	9216.4516.3
671	ø48 x 60	9211.4501.4
672	ø48 x 57	9216.4515.3
673	ø5.8 x 30	9216.4519.4

Elektrokettenzüge - Electric chain hoists - Palans électriques à chaîne

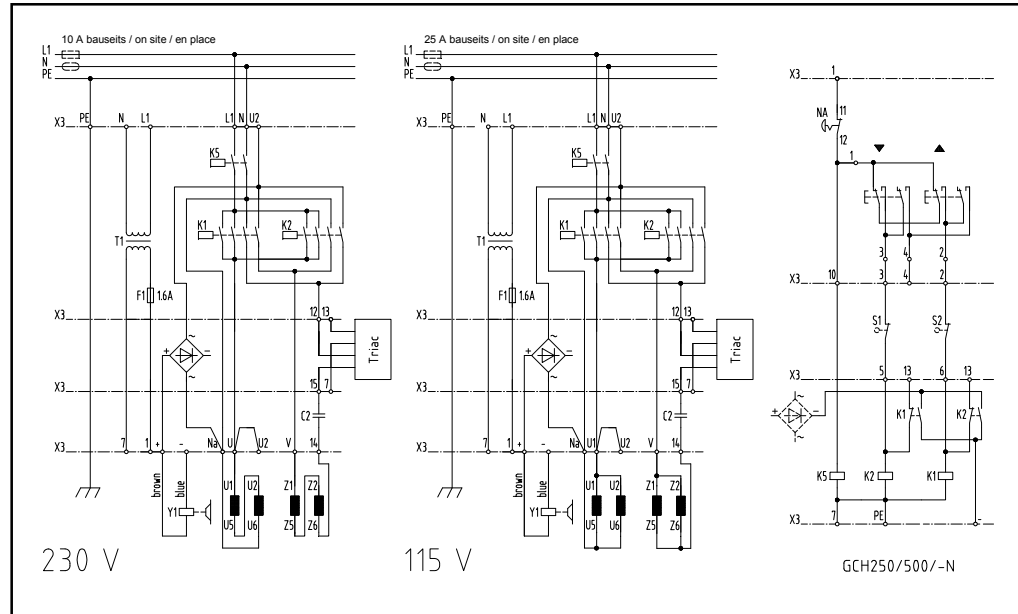
Schützensteuerung Contactor control Commande par contacteurs	1 Geschwindigkeit mit Not-Aus 1 speed with emergency stop 1 vitesse avec marche-arrêt	3 Ph	9402.9500.4
	2 Geschwindigkeiten mit Not-Aus 2 speeds with emergency stop 2 vitesses avec marche-arrêt	3 Ph	9402.9501.4
	1 Geschwindigkeit mit Not-Aus 1 speed with emergency stop 1 vitesse avec marche-arrêt	1 Ph	9402.9519.3

F	Steuersicherung	Control fuse	Fusible de commande
K	Schütz	Contacteur	Contacteur
L	Zuleitung	Power supply	Alimentation électrique
N	Nullleiter	Neutre	Neutre
NA	Not-Aus	Emergency stop	Marche-arrêt
PE	Erdung	Earth	Mise à la terre
S	Schalter	Switch	Interrupteur
T	Transformator	Transformateur	Transformateur
U, V, W	Motor	Motor	Moteur
X	Klemmenleiste	Terminal strip	Barrette de raccordement
Y	Bremse	Brake	Frein

9402.9500.4 3 Ph



9402.9519.3 1 Ph



9402.9501.4 3 Ph

