



PREMIUM PRO-EX 1

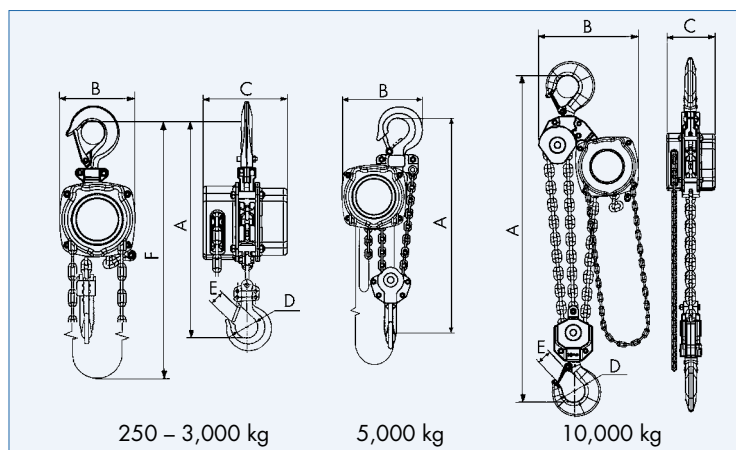
## PREMIUM PRO with EX-protection

The PREMIUM PRO-EX gets a very special surface treatment and has some changes in design that allows you to use the manual chain hoist in explosion hazardous areas. It accords to EC-guide lines 2014/34/EU (ATEX-standards).

**Three explosion classes are specified. We offer the versions Basic, Medium and High. Please ask us for more detailed informations in case of doubts.**

### All around galvanization and chromatisation

Mud and dirt cannot harm this hoist! This protection begins with self-locking galvanized castle nuts, goes over bronze wheels and rustfree chains and ends with fully powder-coated housing parts. Overload protection in 500 kg capacity hoist and bigger, supplied with ATEX-Certificate!



1 m more operation length	Capacity	Order No.
Hand chain Basic/Medium	500 – 10,000 kg	<b>G50032</b>
Hand chain High	500 – 10,000 kg	<b>G50033</b>



TYPE	PREMIUM PRO-EX ...	0.25	0.5	1	1.5	2	3	5	10
Capacity <b>Basic/Medium</b>	kg	250	500	1,000	1,500	2,000	3,000	5,000	10,000
Capacity <b>High</b>	kg	250	500	950	1,250	1,250	2,000	3,200	6,400
Standard lift	m	3	3	3	3	3	3	3	3
Min. headroom (A)	mm	259	309	373	460	460	553	630	900
Hand chain force	daN	22	24	30.5	36	36	37	39	39.5
Hand chain operation length	m	2.5	2.5	2.5	2.5	2.5	2.5	2.5	2.5
Meters hand chain to pull to lift 1m	m	14.8	29.5	39.4	60.8	60.8	96.7	193.3	290
Number of chain falls		1	1	1	1	1	1	2	3
Chain size	mm	4 x 12	5 x 15	6 x 18	8 x 24	8 x 24	10 x 30	10 x 30	10 x 30*
B (Dimensions)	mm	95	114	152	190	190	240	240	391
C	mm	99.4	110	139	150	150	158	158	166
D	mm	30	33	40	52	52	62	72	85
E	mm	22	22	28	33	33	37	44	60
F	m	2.5	2.5	2.5	2.5	2.5	2.5	2.5	2.5
Weight with standard lift	kg	5.8	7.6	11.5	17.2	17.2	27	40.5	61.9
Weight per m additional lift **	kg	1.2	1.4	1.6	2.2	2.2	3.0	5.2	14.8
<b>Version Basic:</b> PREMIUM PRO-EX ... with 3 m lift	<b>Order No.</b>	<b>G10360</b>	<b>G10361</b>	<b>G10362</b>	<b>G10363</b>	<b>G10364</b>	<b>G10365</b>	<b>G10366</b>	<b>G10367</b>
<b>Version Medium:</b> PREMIUM PRO-EX ... with 3 m lift	<b>Order No.</b>	<b>G10368</b>	<b>G10369</b>	<b>G10370</b>	<b>G10371</b>	<b>G10372</b>	<b>G10373</b>	<b>G10374</b>	<b>G10375</b>
Add. lifting height per m Basic / Medium	<b>Order No.</b>	<b>G10270</b>	<b>G10271</b>	<b>G10242</b>	<b>G10243</b>	<b>G10243</b>	<b>G10272</b>	<b>G10246</b>	<b>G10247</b>
<b>Version High:</b> PREMIUM PRO-EX ... with 3 m lift	<b>Order No.</b>	<b>G10376</b>	<b>G10377</b>	<b>G10378</b>	<b>G10379</b>	<b>G10380</b>	<b>G10381</b>	<b>G10382</b>	<b>G10383</b>
Add. lifting height per m High	<b>Order No.</b>	<b>G50024</b>	<b>G50025</b>	<b>G50026</b>	<b>G50027</b>	<b>G50028</b>	<b>G50029</b>	<b>G50030</b>	<b>G50031</b>

Chain bag (plastic), from 5,000 kg (stainless steel) on request.

\* Grade 100 by versions Basic and Medium. \*\* 1 m operating length and 1 lift

More capacities upon request.