



 **PORTA**DAVIT QUANTUM[®]

REIDLIFTING.COM

Our **PORTADAVIT** QUANTUM is a rapidly deployable, lightweight solution to heavy lifting and lowering of goods and personnel. Weighing from just 18.5kg when fully assembled, it can be manually operated by one person while maintaining a lifting capacity of up to 600kg.

> Key features

- > EN795:2012 Certified
- > ATEX Certified
- > Can support goods and personnel lifting;
 - > Goods WLL of up to 600kg
 - > Personnel WLL of up to 300kg
- > Ease of assembly with the use of just one pin, no tools required
- > Can be rotated 360° under a full load
- > Designed with a universal kingpin which is compatible for all REID sockets
- > Easy radius adjustment
- > Engineered designs and bespoke sections reduce weight, providing lightweight portability

> Configurations

The **PORTADAVIT** QUANTUM is available in a strop and winched version for use with a range of lifting equipment.



**600KG
WLL**



**1 PERSON
ASSEMBLY**



**FROM
18.5KG**



**EN795
CERTIFIED**



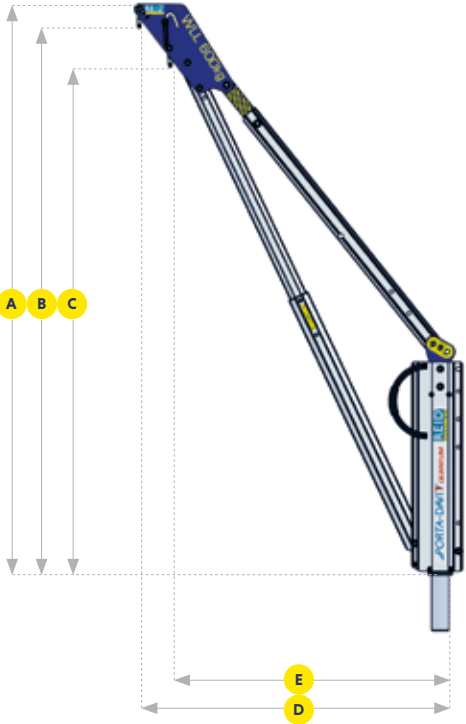
**ATEX
CERTIFIED**

> Features & Performance

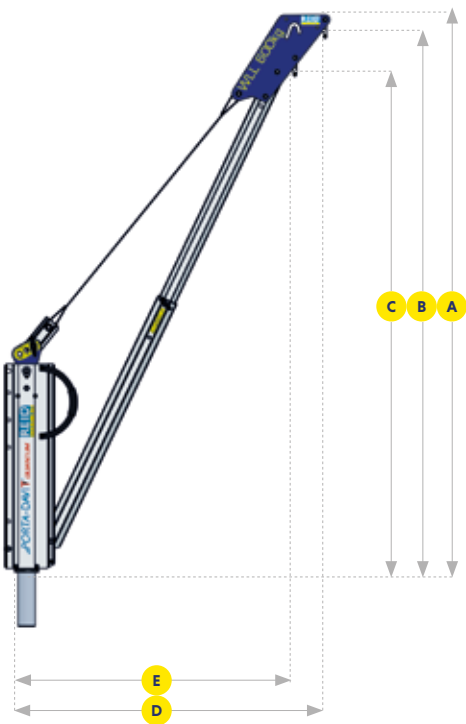
	PDQ 1	PDQ 2
Accreditations, Certifications & Standards		
EN795:2012	✓	✓
AS/NZS 5532:2013	✓	✓
ATEX Certified [Zone 2]	✓	✓
ATEX Certified [Zone 1]	Optional	Optional
IRATA	✓	x
Capacity		
Maximum Goods Lifting [kg]	600	500
Maximum Personnel Lifting [kg]	300	250
Fall Arrest [Persons]	1	1
Dimensions		
Maximum Reach [mm]	1200	1500
Maximum Height of Lift [mm]	2111	1957
Socket Diameter		
65mm	✓	✓
Socket Options		
Top Mount	✓	✓
Flush Mount	✓	✓
Side Mount	✓	✓
Bridge Mount	✓	✓
Pedestal	✓	✓
Extension Post	✓	✓
Standard Features		
One Piece Unit	✓	✓
Multiple Accessory Attachment	✓	✓
Shackle Lifting Points	✓	✓
Weight < 25kg	✓	✓
Optional Extras		
Winch Capable	✓	✓
Rotational Handle	✓	✓
Finishes		
Anodised	✓	✓
316SS Fixings	Optional	Optional
Marine Spec	Optional	Optional

- A Overall height
- B Height to outer shackle
- C Height to inner shackle
- D Radius to outer shackle
- E Radius to inner shackle

WINCHED [Type W]



STROP [Type S]



Product Code	WLL	Radius Adjustment Points	Dimensions [mm]				
			A	B	C	D*	E*
PDQ1S	600kg	1	2007	1935	1799	1200	1100
		2	2061	1989	1848	1100	1000
PDQ1W		3	2111	2039	1892	1000	900

PDQ2S	500kg	1	1837	1766	1647	1500	1400
		2	1899	1827	1703	1400	1300
PDQ2W		3	1957	1885	1755	1300	1200

*Radii achieved at 75% WLL

All information herein is copyright protected by REID Lifting Ltd. All company and product names are Trade Mark and Trade Name protected and all REID Product IPR is protected under Patents, Patents Pending and/or Design Rights.

 Printed using environment friendly processes and materials.

REID Lifting

Unit 1 Wyeview,
Newhouse Farm Ind. Estate
Chepstow, Monmouthshire
NP16 6UD UK

- +44 (0)1291 620 796
- +44 (0)1291 626 490 (Fax)
- enquiries@reidlifting.com
- www.reidlifting.com