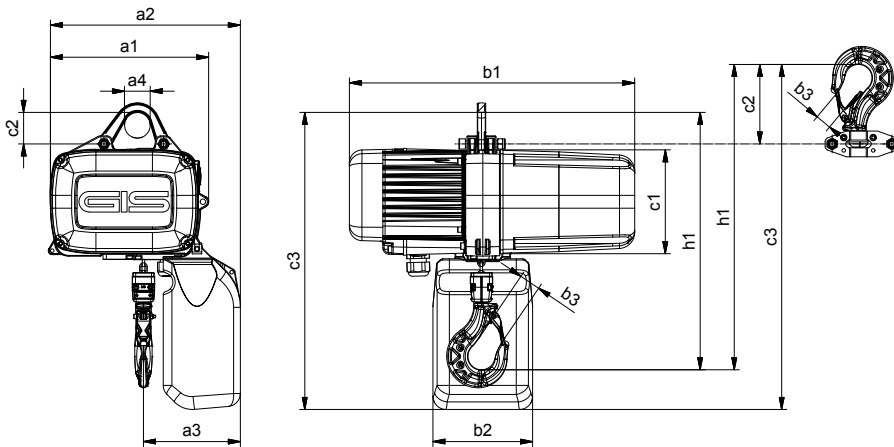


Dimensions electric chain hoists

Type	a1 (mm)	a2* (mm)	a3* (mm)	a4 (mm)	b1 (mm)	b2* (mm)	b3 (mm)	c1 (mm)	c2 eye (mm)	c2 hook (mm)	c3 eye* (mm)	c3 hook* (mm)	h1 eye (mm)	h1 hook (mm)	Schematic drawing
GPM250/1	202	243	122	Ø30	389	120	20	134	39	90	419	470	330	381	9500.9201.5
GP250/1	246	296	151	Ø40	444	155	24	162	49	124	462	537	400	475	9510.9201.5
GP250/2	246	296	168	Ø40	444	155	24	162	49	124	462	537	432	506	9510.9202.5
GP500/1	246	296	151	Ø40	444	155	24	162	49	124	462	537	414	488	9511.9201.5
GP500/2	246	296	175	Ø40	444	155	24	162	49	124	462	537	453	528	9511.9202.5

*Chain bucket for lifting height 3 m

GPM250, GP250/500, 1-fall



GP250/500, 2-falls

