

ERSATZTEILE

Pièces de rechange - Onderdelen - Reservedele - Varaosat - Pezzi di ricambio
Reservedelen - Peças - Reservdelar - Piezas de recambio

SPARE PARTS

STROMLAUFPLÄNE

Schéma de connexions - Stroomschema - Kredslobsdiagrammer - KytKentäkaavio
Aansluitschema - Schema elettrico - Koplingskjema - Esquema electrico - Elschema
Esquema eléctrico

CIRCUIT DIAGRAMS

GIS CHAIN HOIST

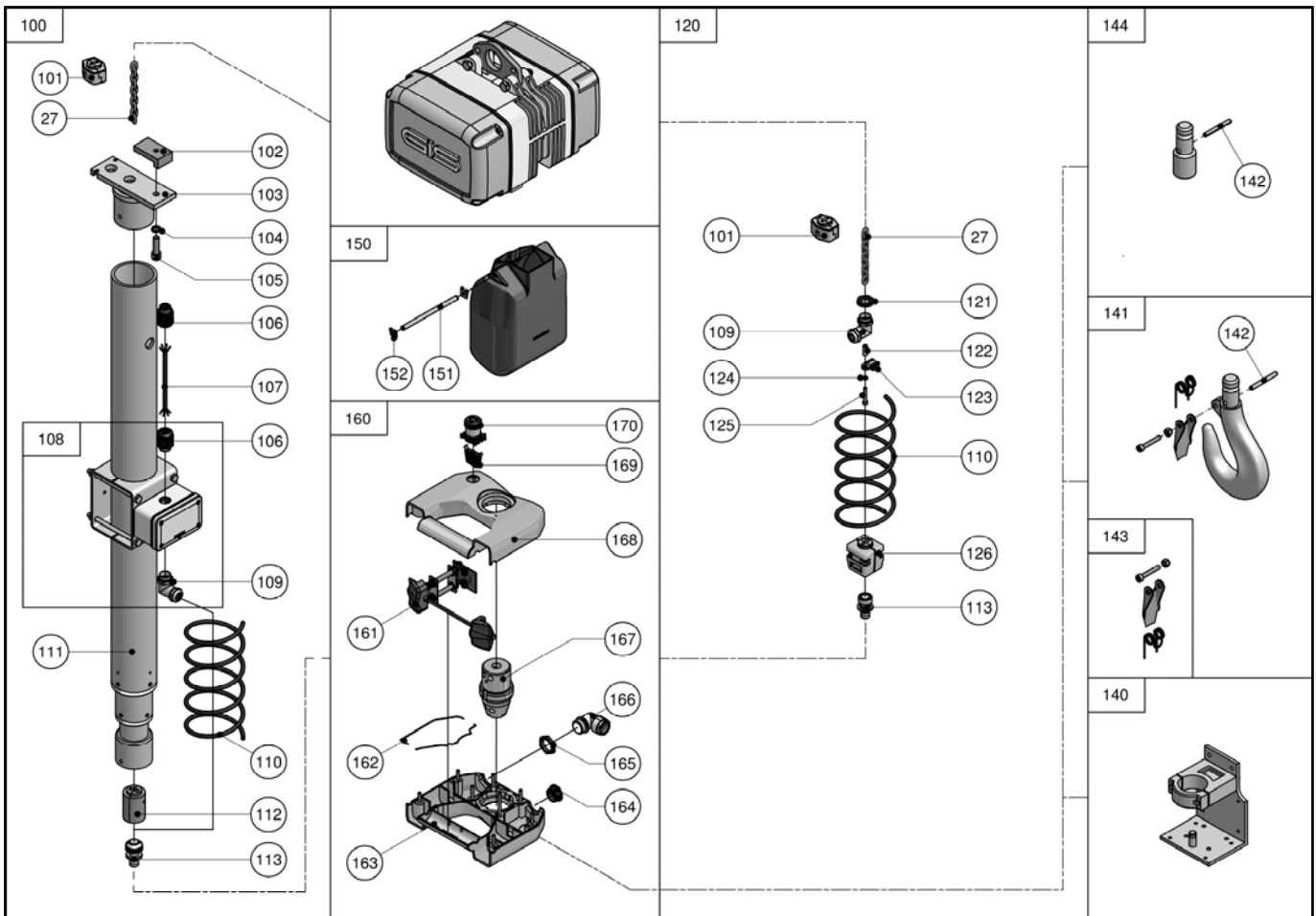
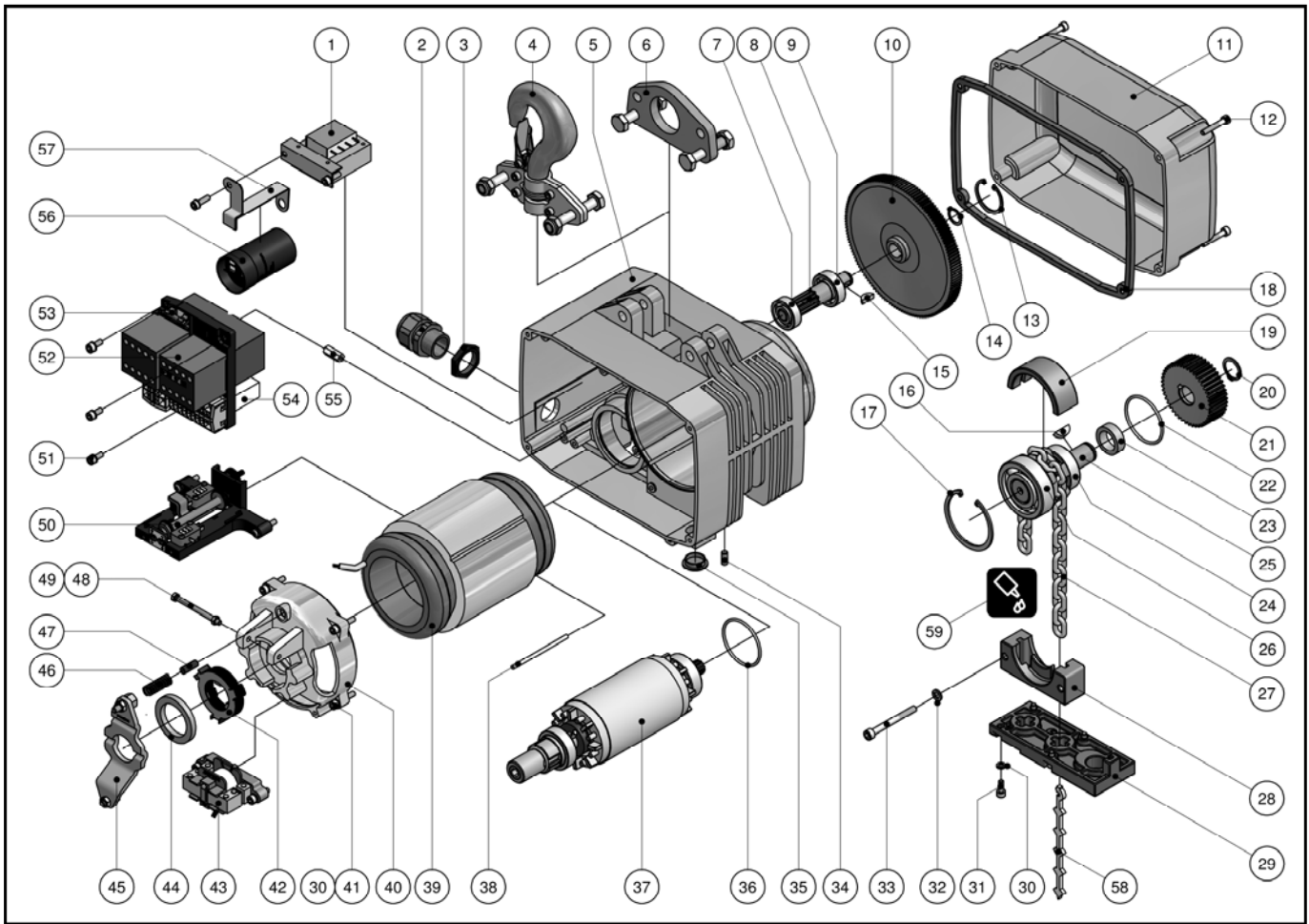
 SWISS QUALITY

GCHH 500



M A D E I N S W I T Z E R L A N D





		GCHH 500
1	230/42V 50/60Hz	9056.4500.4
	400/42V 50/60Hz	9056.4501.4
	115/230//42V 50/60Hz	9056.4506.4
2	M25 x 1.5	9055.3103
3	M25 x 1.5	9055.4013
4	115 x 145.06	9401.3007.3
5	246 x 213 x 180.5	9400.3000.0
6	62/10 x 115	9400.3055.4
7	6201, 12/32 x 10	9038.0015
8	ø18.98 x 90.6	9400.3043.4
9	6202, 15/35 x 11	9038.0016
10	ø149 z=142, -N/-NF	9400.3074.3
	ø143 z=136, -SF	9400.3075.3
	ø133 z=127, -HF	9400.3076.3
11	246 x 164 x 81	9400.3001.2
12	M5 x 30, In-6kt	9030.0266
	M5 x 30	9030.3258
13	I 35 x 1.5	9031.2214
14	A 15 x 1	0031.1009
15	5 x 6.5 x 15.72	9036.0605
16	6 x 7.5 x 18.57	9036.0600
17	I 62 x 2	0031.1127
18	248 x 166 x 6	9400.3002.3
19	70 x 35 x 28	9401.3004.4
20	A 20 x 2	0031.1013
21	ø68.8 z=45	9400.3073.4
22	47 x 2.5	9035.0015
23	ø30/21 x 9.5	9400.3029.4
24	6204 LLUA, 20/47 x 14	9038.0017
25	ø55 x 96, 5T	9401.3037.2
26	6305 2Z, 25/62 x 17	0038.1197
27	5 x 15.3	9039.0005
28	89 x 34 x 28	9401.3003.4
29	56/15 x 146 (5 mm)	9400.3054.3
30	M5	9031.3902
31	M5 x 16	9030.0262
32	M6	9031.3903
33	M6 x 50	9030.0281
34	M6 x 16	9030.2502
35	M20 x 1.5	9055.3512
36	47 x 2.5	9035.0015
37	1-t ø62 x 50, 8 m/min	9401.3030.3
	2-t ø62 x 100, 8 m/min	9401.3031.3
	2-t ø62 x 100, 12.5 m/min	9401.3033.3
	2-t ø62 x 100, 20 m/min	9401.3034.3
38	ø4 x 75	9230.3097.4
39	L=50, 3Ph 230/400V 50Hz	9402.0100.3
	L=100, 3Ph 400V 50Hz	9402.0300.3
	L=100, 3Ph 230V 50Hz	9402.0301.3
	L=50, 1Ph 115/230V 50Hz	9402.0050.3
40	ø123 x 80.5	9400.3005.2
41	M5 x 25	9030.0265
42	ø51 x 14	9401.3040.4
43	230V 50/60Hz, kompl.	9056.2201.4
	400V 50/60Hz, kompl.	9056.2200.4
	115/230V 50/60Hz, kompl.	9056.2203.4
44	ø50/36 x 5.0	9400.3077.4
45	117 x 50 x 31	9401.3041.4
46	ø9.4/1.6 x 30	9400.3042.4
47	ø6.8 x 21	9210.3345.4
48	M5 x 60	9030.0271
49	M5	9031.1275
50	119 x 103.5, kompl.	9401.3015.3
	119 x 103.5, NA kompl.	9401.3018.3
51	M5 x 16	9030.3260
52	1-t NA 42V	9402.1200.2
	2-t NA 42V	9402.1300.2
	1-t NA 42V 1Ph	9402.1400.2
53	1.6A	9052.0012
54	45 x 30 x 14.7	9400.3105.4
55	M5 x 20, 6kt	9058.0608
56	ø39.5 x 74, 240µF	9059.0001
57	75.4 x 26 x 64.5	9400.3103.4
58	200 x 15.5 x 5 (5 mm)	9041.6021
59	0.25 l	9041.0007

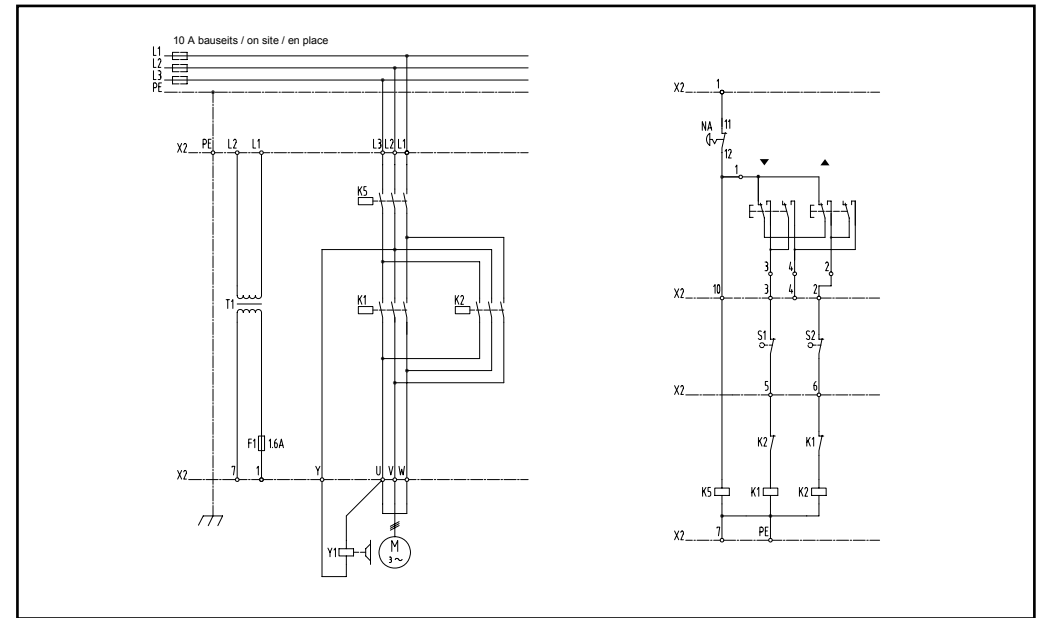
		GCHH 500
100	GCHHTD L=1200/1500	9401.4030.3
	GCHHTD L=2000	9401.4031.3
101	46 x 38 x 38	9216.3021.3
102	60/20 x 35	9400.1015.4
103	ø80	9401.4010.3
104	M10	9031.3801
105	M10 x 35	9030.0297
106	M20 x 1.5	9055.3102
107	6 x 1 mm², L=	9055.0016
108	96 x 70 x 172.5	9211.4042.4
109	M20 x 1.5	9055.3116
110	5P L=1200/1500	9210.4090.4
	5P L=2000	9210.4013.4
	5P L=3000	9210.4013.4
	5P L=4000	9210.4014.4
111	L=1200/1500	9211.4040.3
	L=2000	9211.4041.3
112	ø39 x 58	9401.4022.4
113	ø28 x 51.5	9401.4027.4
120	GCHHK L=3 m	9401.4032.3
	GCHHK L=4 m	9401.4033.3
121	M20 KS	9055.4012
122	ø8/5.2 x 18	9215.3129.4
123	RSGU 12/15	9031.8002
124	M5	9031.3902
125	M5 x 35/22	9030.0267
126	48 x 48 x 57	9216.3131.3
140	208 x 120 x 8	9211.4055.4
141	127.8 x 84	9210.4005.4
142	ø4 x 36	0031.6032
143	s=1.5	9400.3065.4
144	ø22 x 57, M12	9210.4009.4
150	500/6 KS	9401.3010.1
151	ø8 x 137	9215.3030.4
152	Gr. 8	9031.2400
160	210 x 174 x 70	9401.4009.3
161	210 x 60 x 123.8, kompl.	9401.4025.4
162	ø1.4/0.5 L=310	9401.4026.4
163	210 x 174 x 36.25	9401.4014.2
164	ø25.5	9040.0862
165	M25 KS	9055.4013
166	M25 x 1.5 KS	9055.3122
167	ø59.5 x 100	9401.4021.3
168	210 x 174 x 36.25	9401.4013.2
169	40 x 31.5 x 8	9051.3407
170	ø30 x 42.85	9051.4001

Elektrokettenzüge - Electric chain hoists - Palans électriques à chaîne

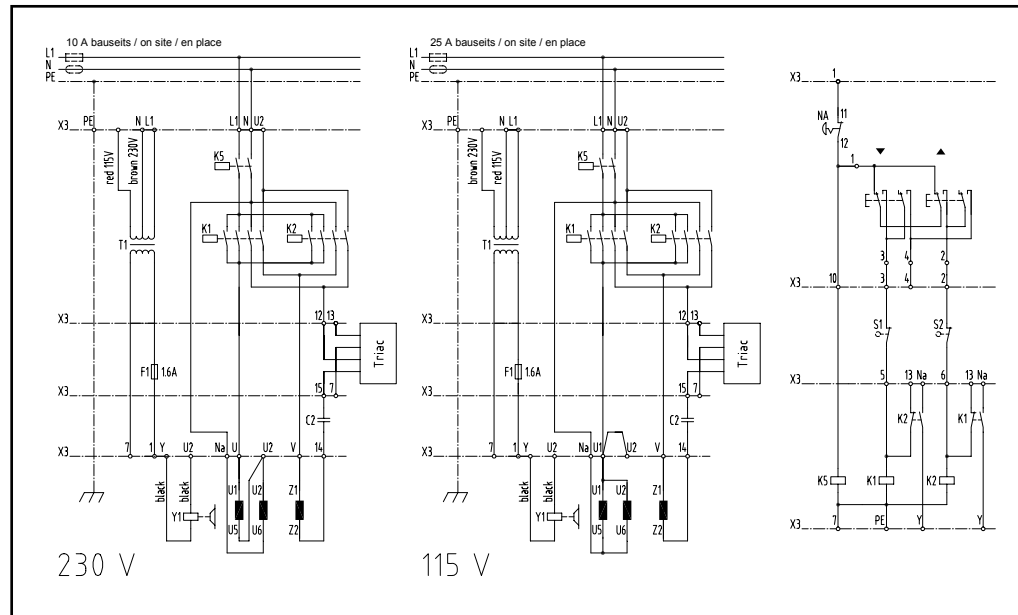
Schützensteuerung Contactor control Commande par contacteurs	1 Geschwindigkeit mit Not-Aus	3 Ph	9400.9500.3
	1 speed with emergency stop		
	1 vitesse avec marche-arrêt		
	2 Geschwindigkeiten mit Not-Aus	3 Ph	9400.9501.3
	2 speeds with emergency stop		
	2 vitesses avec marche-arrêt		
	1 Geschwindigkeit mit Not-Aus	1 Ph	9400.9513.3
	1 speed with emergency stop		
	1 vitesse avec marche-arrêt		

F	Steuersicherung	Control fuse	Fusible de commande
K	Schütz	Contacteur	Contacteur
L	Zuleitung	Power supply	Alimentation électrique
N	Nullleiter	Neutral	Neutre
NA	Not-Aus	Emergency stop	Marche-arrêt
PE	Erdung	Earth	Mise à la terre
S	Schalter	Switch	Interrupteur
T	Transformator	Transformer	Transformateur
U, V, W	Motor	Motor	Moteur
X	Klemmenleiste	Terminal strip	Barrette de raccordement
Y	Bremse	Brake	Frein

9400.9500.3 3 Ph



9400.9513.3 1 Ph



9400.9501.3 3 Ph

