

EMC Instruction manual

The EMC instruction manual is based on the instruction manual for the EM electric chain hoists (9215.9000.1). This very document is a part of the instruction manual. Only those chapters are mentioned which have been completed or corrected.

0 General directions

The general directions apply for the EMC models also. The technical datas are available in the dimensioned drawing 9225.9229.5.

1 Description

The EMC models, in comparison with the standard EM models, accomplish additional safety criterions including the VBG 8 german standards. These criterions are described on the dimensioned drawing 9225.9229.5. The design of these models allows the use of the hoist in original position as well as in headed position as a climbing hoist.

2 Start-up

2.2.1 Power connection for operating voltage

The circuit diagram, duly adapted, can be found within the cover of the hoist.

2.2.8 Limit switch

The limit switch for highest and lowest hook position is of geared limit switch type. Hoists which are equipped by the manufacturer do have the cams adjusted to the right position. The precision of the adjustment is within the range of 5 - 15 cm. If the hoist is equipped by the customer or if the chain is replaced, the cams must be re-adjusted. The adjustment of the geared limit switch (highest and lowest hook position) is made according to figure 2-1 as follows:

- Remove the electrical cover plate
- Move aside the strip terminal without loosening the wiring
- Move the load hook to its highest position
- Interrupt the supply voltage
- Loosen the cam (1) on rotatable disk (2) by means of allen key and push it to the cam of the limit switch (3) (hook on top)
- Tighten the cam (1)
- Connect supply voltage
- Move the hook to its lowest position
- Interrupt the supply voltage
- Adjustment same as above for hook in its highest position
- Connect supply voltage
- Functional check for both end positions



DANGER !

The supply voltage must be interrupted for any adjustment on the cam.

2.2.9 Chain guide

If the electric chain hoist is used as a climbing hoist (in headed position), the chain must run across the chain guide of plastic into the chain container.



CAUTION !

The limit stop assembly is to be adjusted so that it does not run across the chain guide (see figure 2-2).

3 Service and maintenance

3.4 Ordering of spare parts

In addition to the spare parts list can be asked for a general drawing.

Figure 2-1

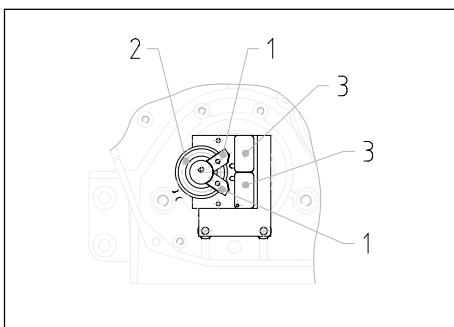


Figure 2-2

